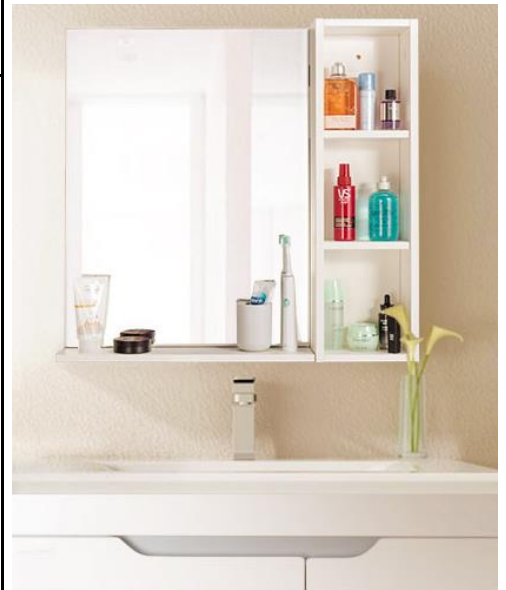
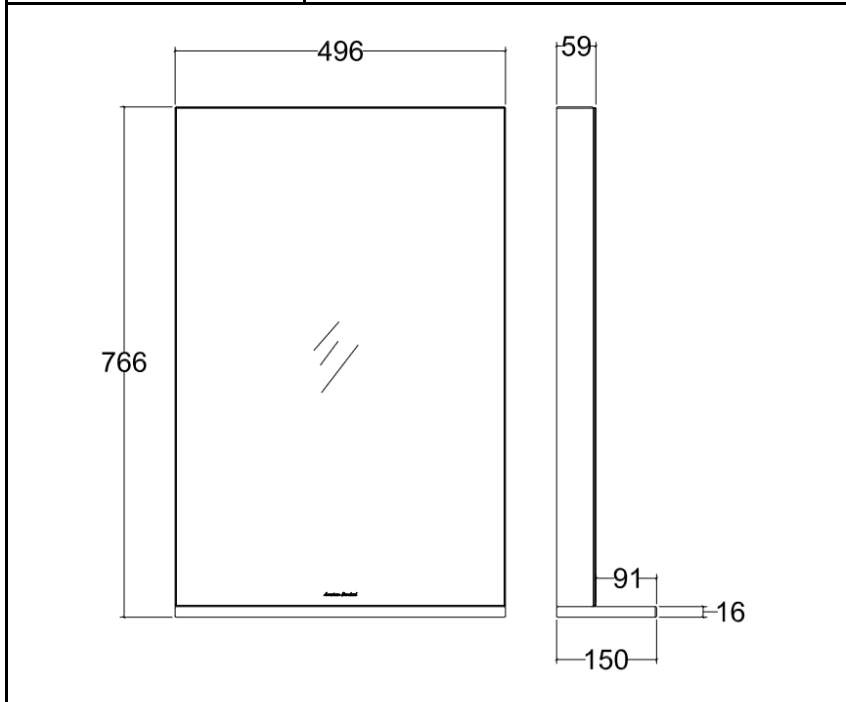




PROJECT		REF		REV	ITEM CODE	
LOCATION		DATE			PAGE	

SANITARY WARE SPECIFICATION SHEET

Item Descriptions	American Standard (PRC) "Moddino" Wall mounted mirror with shelf	<p align="center">Illustration/ Drawing</p> 
Model	CVASMD50-SM0E101C0	
Dimension	L496 x W150 x H766 mm	
Material / Colour	Glass / White	
Manufacturer	American Standard (PRC)	
Source	Acme Sanitary Ware Co. Ltd Mr. Eric Wong / Mr. Don Yuen	
Contact Tel/Fax	(852) 2388-7171 / (852) 2710-8012	
E-mail	acme@acmesanitary.com.hk	
Website	www.acmesanitary.com.hk	



* All information of the above is for the reference only. No prior notice is made if any changes.